



owner's manual

Gibraltar  **Class**

B A S S D R U M P E D A L

Gibraltar®

B A S S D R U M



Class

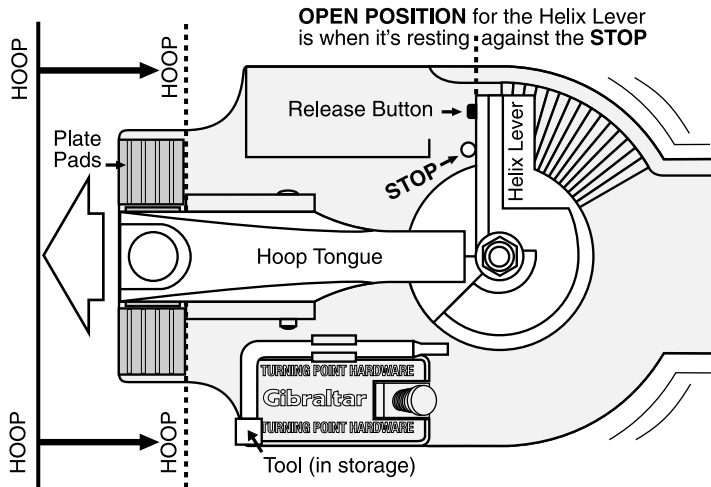
P E D A L

The new
G-Class
was
inspired by
the demand
for a pedal
that could offer
an ideal blend
of power, speed
and style. The
result is *exactly
that*. Elegantly
fusing innovation
with function, the
G-Class pedal is
loaded with ground-
breaking new control
features. The unique
design eliminates set-
up complexities, and
allows the player to
fine tune the pedal's
“feel” quickly and
precisely. Gibraltar's G-
Class pedal is a one-of-a-
kind, high performance machine-
from the beater, all the way down
to the die-cast foundation plate.

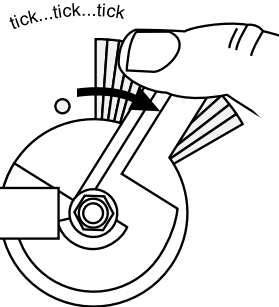
P E R F O R M A N C E • I N N O V A T I O N

MOUNTING THE PEDAL TO THE BASS DRUM:

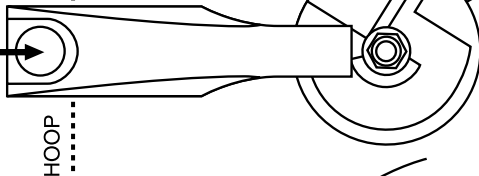
With the Helix Lever set in the **OPEN POSITION**, slide the pedal onto the bass drum **HOOP**, in-between the Hoop Tongue and plate pads.



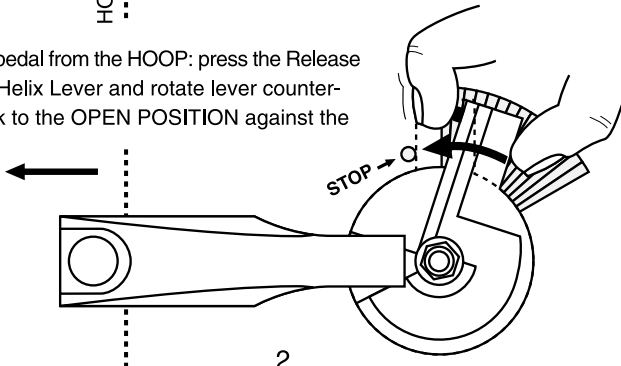
To secure pedal to bass drum **HOOP**: rotate the Helix Lever clockwise until it becomes tight. The lever will lock in place automatically.



If further hoop tension adjustment is desired, use the hoop tongue adjuster bolt.

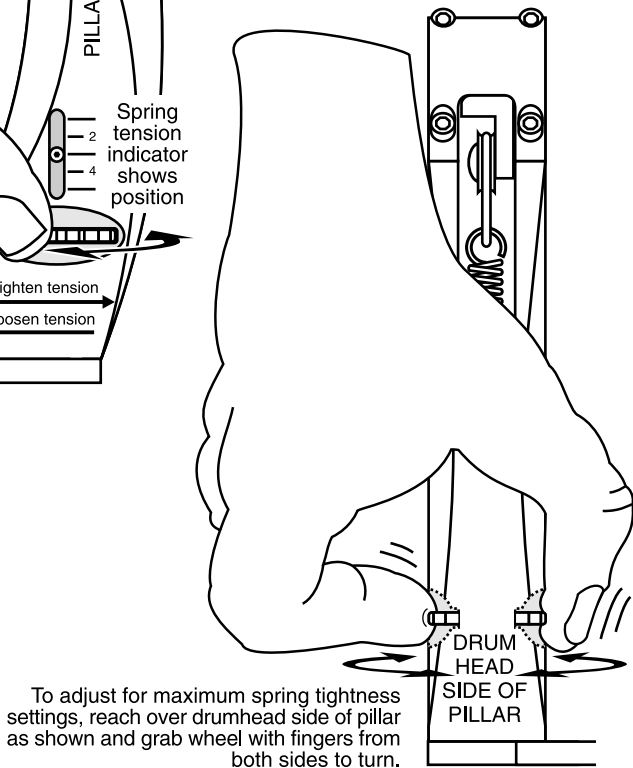
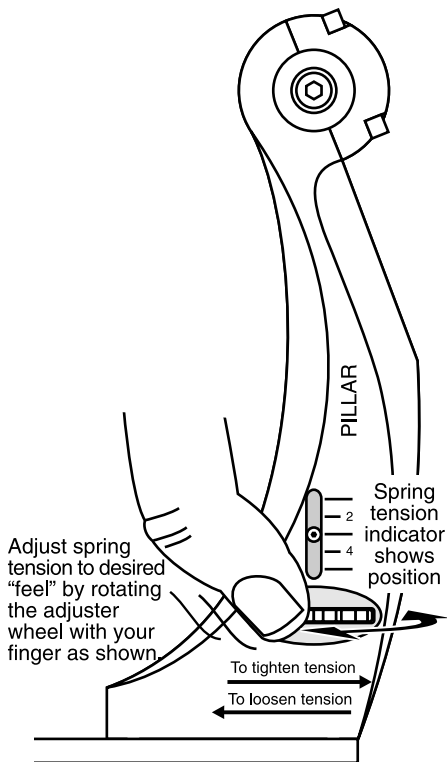


To release the pedal from the **HOOP**: press the Release Button on the Helix Lever and rotate lever counter-clockwise back to the **OPEN POSITION** against the **STOP**.



ADJUSTING THE ACTION (SPRING TENSION)

The G-Class pedal features an enclosed, dual bearing spring mount, that can be adjusted by hand using the finger wheel on either side of the frame pillar.



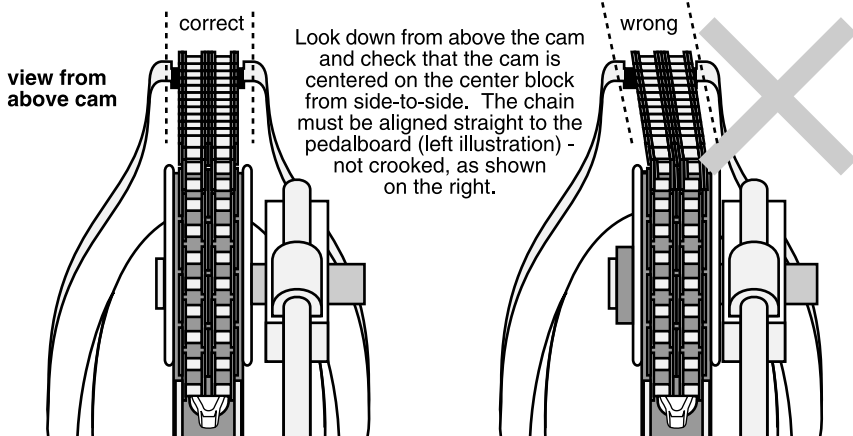
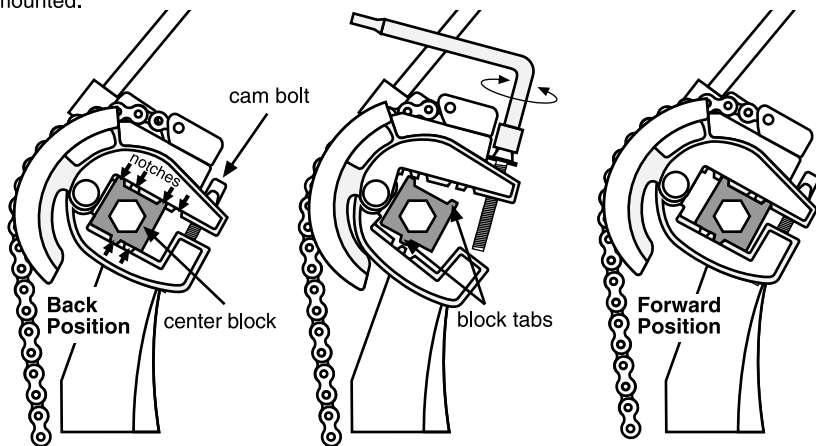
ADJUSTING THE G-DRIVE CAM POSITION

The G-Drive Cam offers the option of two different pivot positions to further vary the pedal's "feel". By repositioning the cam from the back position to forward, it creates a subtle dynamic change in the length of the pedal's stroke and torque ratio while playing.

The G-Drive Cam interlocks with the center block using the notches shown with arrows below. The notches in the cam offer two (forward and back) positions on which the cam can be mounted.

To switch cam positions: using the included tool, loosen the G-Drive Cam bolt as shown. Open the "jaw" wide enough to move the cam to the desired position, and fit the center block tabs into the cam notches.

Securely retighten the G-Drive Cam bolt. Check the cam's alignment on the center block tabs to make sure the tabs are seated into the cam notches properly.

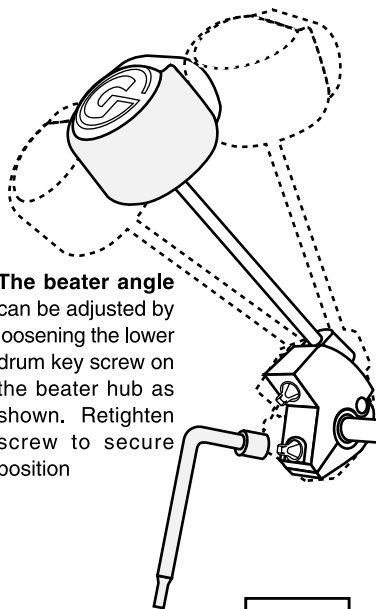


FINE ADJUSTING FOR PERSONAL PREFERENCE

The G-Class Pedal offers adjustments for variable beater positioning and pedalboard positioning to suit the player's preference.

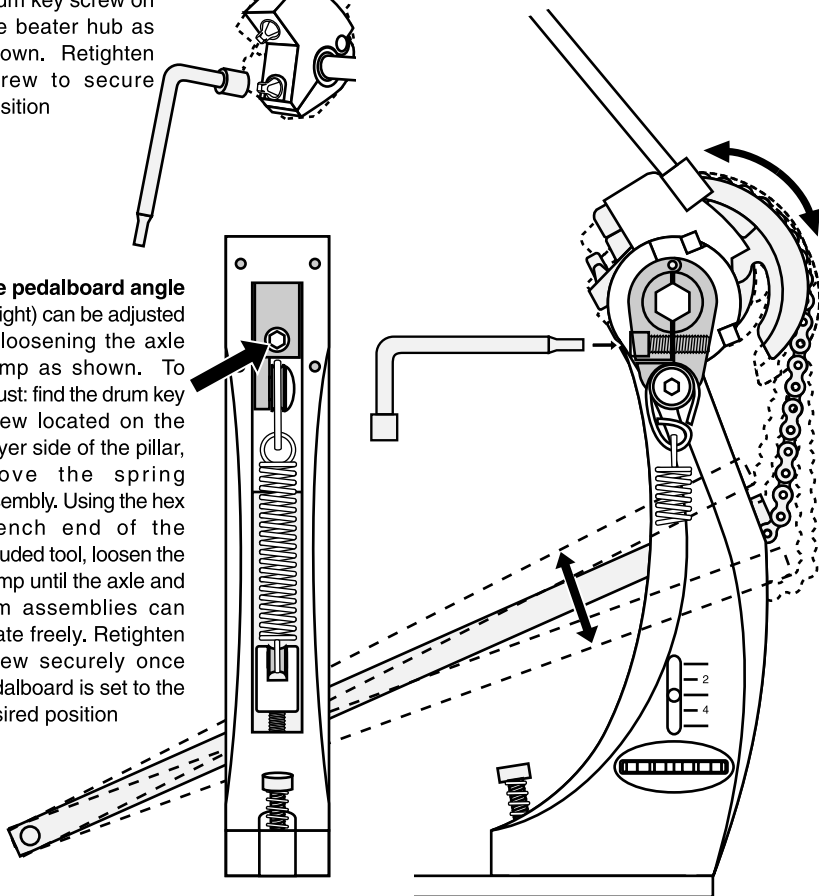
The beater angle

can be adjusted by loosening the lower drum key screw on the beater hub as shown. Retighten screw to secure position



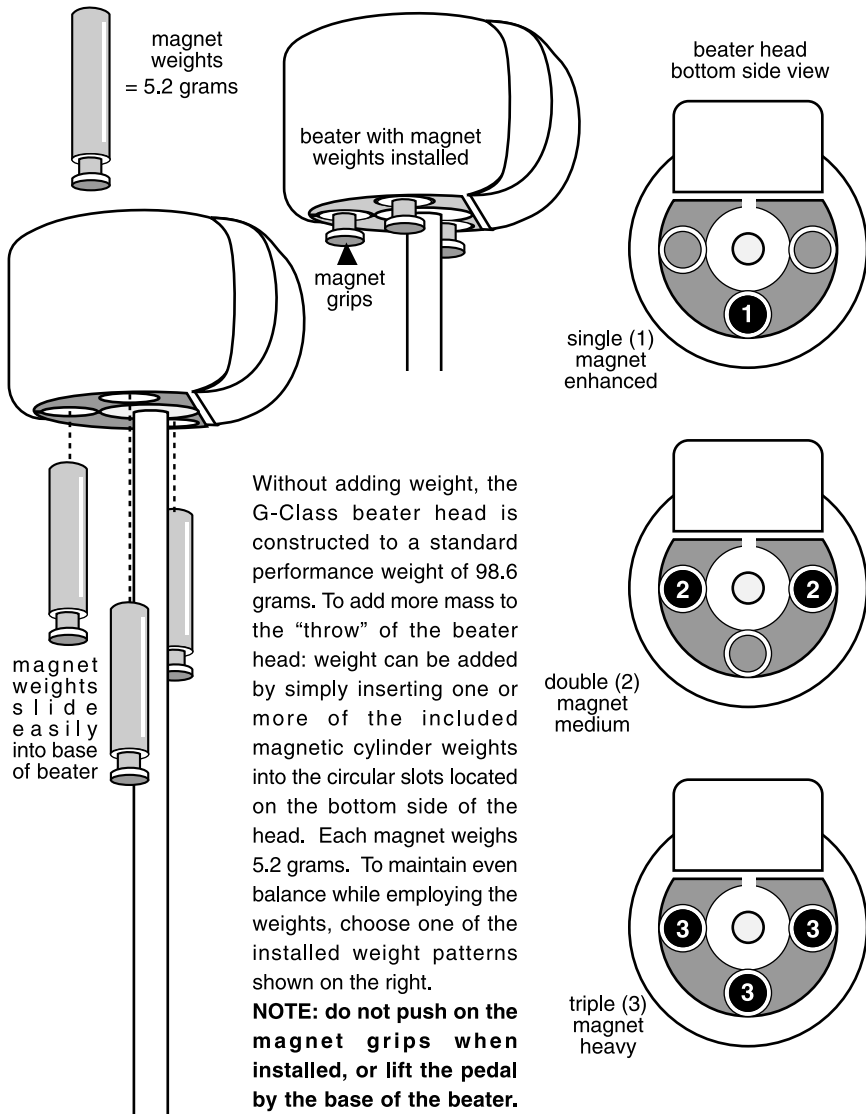
The pedalboard angle

(height) can be adjusted by loosening the axle clamp as shown. To adjust: find the drum key screw located on the player side of the pillar, above the spring assembly. Using the hex wrench end of the included tool, loosen the clamp until the axle and cam assemblies can rotate freely. Retighten screw securely once pedalboard is set to the desired position



VARIABLE WEIGHT BEATER SYSTEM

The G-Class Pedal introduces a new approach to bass drum beater balance using a magnetic counter weight system.





For product information, videos and more
visit Gibraltar on the web

w w w . G i b r a l t a r H a r d w a r e . c o m

Gibraltar Hardware • a division of KMC Musicorp