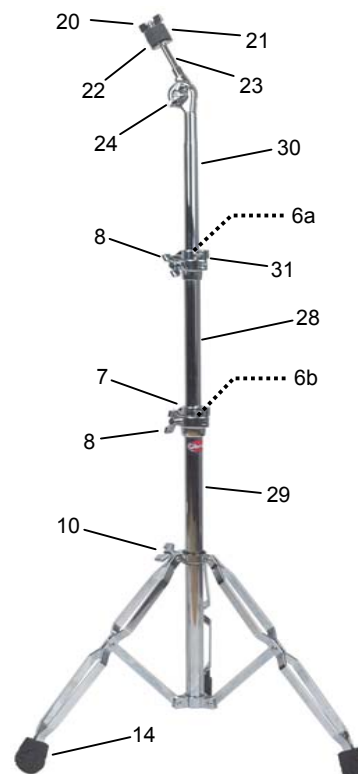
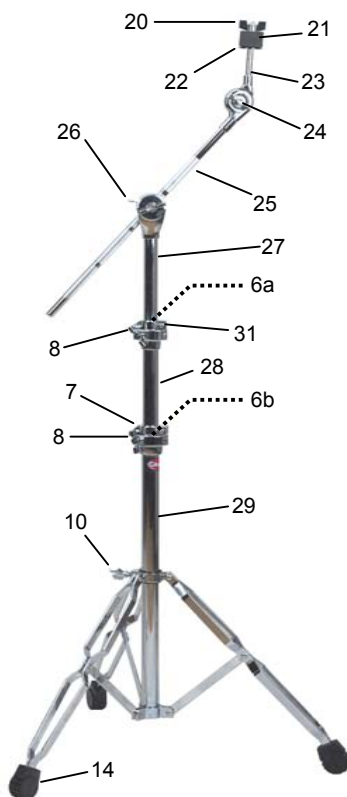
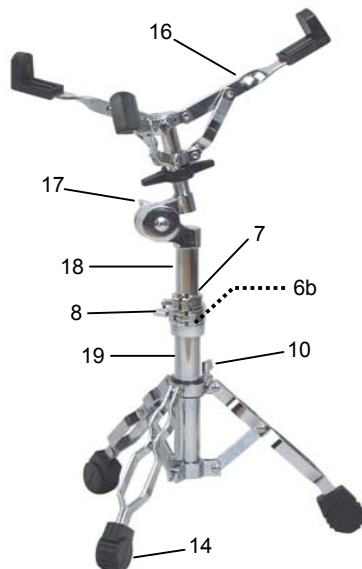
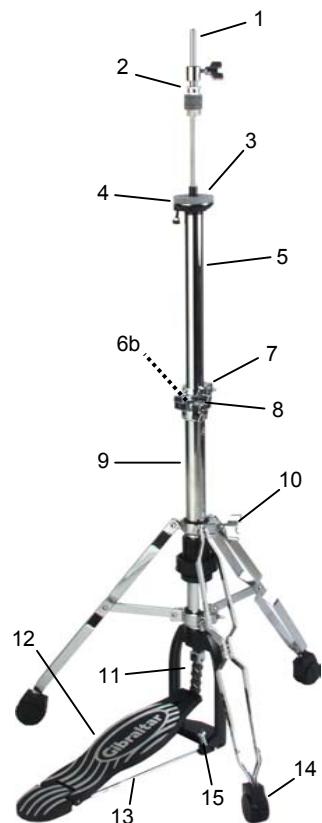


# Gibraltar 6600 Series Hardware



Check out the entire line of  
Gibraltar Hardware products at ...  
[www.GibraltarHardware.com](http://www.GibraltarHardware.com)

**KAMAN**  
music corporation



## Replacement Part Numbers

- 1 - GP-0016 Upper Pull Rod
- 2 - SC-4421D Hi-Hat Clutch
- 3 - SC-HHCF Cup Felt
- 4 - SC-HHFW Flat Washer
- 5 - GP-6069 Upper Height Adjust Tube
- 6a - GP-2005 3/4" Nylon Inner Sleeve
- 6b - GP-2002 1" Nylon Inner Sleeve
- 7 - GP-2080 1" Fitted Memory Lock
- 8 - GP-6030 Wing/Short Bolt Set 6mm
- 9 - GP-6070 Hi-Hat Stand Base
- 10 - SC-0009 Wing Bolt 8mm
- 11 - GP-6032 Hi-Hat Chain
- 12 - GP-6033 Pinned Footboard
- 13 - GP-0021 Radius Rod for HiHat
- 14 - SC-PC09 Rubber Foot
- 15 - GP-0020 Anchor Spur Assembly
- 16 - GP-6071 Snare Basket
- 17 - GP-6052 Wing Nut/Bolt Assembly 8mm
- 18 - GP-6072 Upper Height Adjust Tube
- 19 - GP-6073 Lower Base Assembly
- 20 - SC-13P2 Wing Nut 8mm
- 21 - SC-CFS/4 Small Cymbal felt
- 22 - SC-19B Cymbal Sleeve 8mm
- 23 - GP-6062 Cymbal Tilter Assembly
- 24 - GP-6055 Wing Nut / Bolt Assembly 8mm
- 25 - GP-6056 Knurled Boom Arm
- 26 - GP-6068 Hex Bolt/ Wing Nut Assembly
- 27 - GP-6074 3/4" Upper Height Adjust Tube
- 28 - GP-6075 1" Middle Tube
- 29 - GP-6076 Lower Base Assembly
- 30 - GP-6077 3/4" Upper Height Adjust Tube
- 31 - GP-6078 3/4" Fitted Memory Lock

### Setup Instructions 6607 Series Hi-Hat Stand

- A) Remove cardboard and plastic cover from pedal board and attach the Radius Rod (GP-0021) to the frame.
- B) Unfold and adjust the tripod legs to be flush to the ground and slightly raise the middle frame.
- C) Screw the Upper Pull Rod (GP-0016) into the lower base pull rod stem.
- D) Place the Upper Height Adjust Tube (GP-6069) into the base and adjust to the desired position. Use the Fitted Memory Lock (GP-2080) on the tube to retain this position.
- E) Place the bottom hihat cymbal onto the hihat stand Cup Felt (SC-HHCF) facing upwards.
- F) Place the top hihat cymbal into the Hi-Hat Clutch (GP-4421D), inserting it between the two small felts on the clutch, then slip it onto the upper pull rod.
- G) Secure the upper hihat cymbal with clutch onto the pull rod leaving approximately 1" spacing between the upper and lower hihat cymbals, then adjust to the desired spacing.

### Setup Instructions 6606 Series Snare Stand

- A) Open the tripod base of the snare stand (GP-6073) and place it in an upright position.
- B) Insert the upper snare tube (GP-6072) into the stand base.
- C) Open the snare basket (GP-6071) to fit the snare drum to be used.
- D) Once the snare drum is placed in the basket, tighten the basket to secure the drum. Be aware that over tightening the basket may choke the drum sound, limiting the response.

### Setup Instructions 6609, 6610 Series Cymbal Stands

- A) Open the tripod stand base of the cymbal stand and place it in an upright position.
- B) Insert the middle and, or, upper cymbal tube into the stand base.
- C) Insert the boom arm, 6609 only, into the upper tilter assembly.
- D) Use the tilter on the upper height adjust tube and, or, the boom arm to position your cymbal to the desired angle.

### Setup Instructions 6611 Series Single Pedal

- A) Remove cardboard and plastic cover from pedal board.
- B) Insert the beater (SC-LBDB) into the beater holder (GP-6064) and adjust it to your desired height.
- C) Insert the pedal spring (SC-0052) onto the spring cam (GP-6080) using the clip attached to the spring.
- D) To adjust the spring tension to your desired response, loosen both upper and lower finger nuts to increase or decrease the tension, then re-tighten the finger nuts.
- E) Slide the pedal frame onto the bass drum hoop then tighten the hoop clamp (GP-6065) onto to the bass drum hoop.
- F) To avoid pedal slippage and bass drum movement, we recommend placing the bass drum and pedal onto a carpeted surface.
- G) Lubricate metal-to-metal contact points periodically to insure smooth operation. We suggest #SC-GLO Gibraltar Pedal Lubricant.

# Gibraltar 6600 Series Hardware

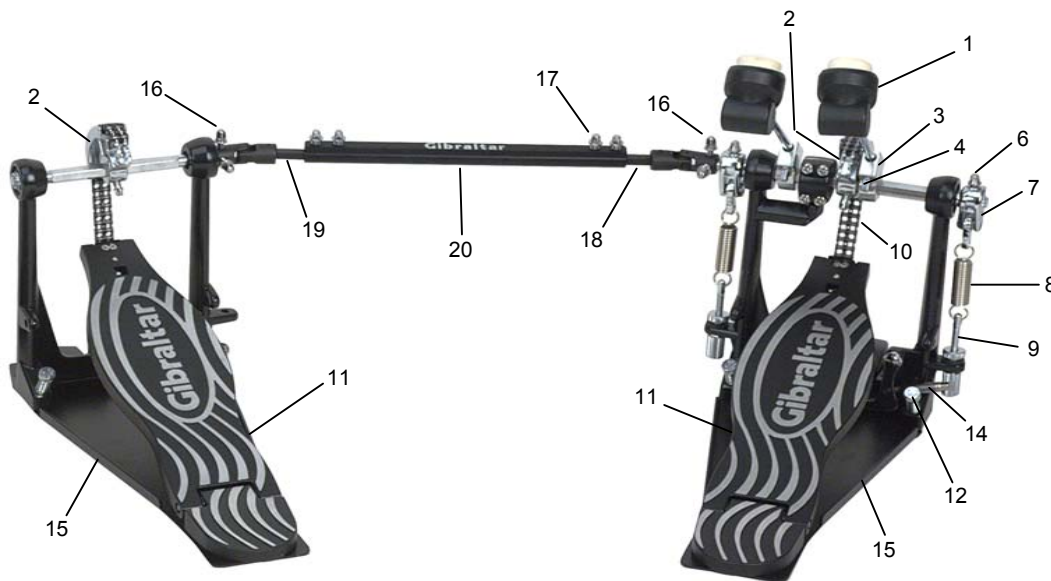


### Setup Instructions 6611DB Series Double Pedal

- A) Remove cardboard and plastic cover from pedal boards.
- B) Insert the beaters (SC-LBDB) into the beater holders (GP-6064) and adjust it to your desired height.
- C) Insert the connecting rod assembly into the right and left axles on each end of the pedal frames. Connect both rods with the center connecting shaft (GP-3029). Adjust the extension rods to the desired length.
- D) Insert the pedal spring (SC-0052) onto the spring cam pivot hole (GP-6080) using the clip attached to the spring.
- E) To adjust the spring tension to your desired response, loosen both upper and lower finger nuts to increase or decrease the tension, then re-tighten the finger nuts.
- F) Slide the pedal frame onto the bass drum hoop then tighten the hoop clamp (GP-6065) onto the bass drum hoop.
- G) To avoid pedal slippage and bass drum movement, we recommend placing the bass drum and pedal onto a carpeted surface.
- H) Lubricate metal-to-metal contact points periodically to insure smooth operation. We suggest #SC-GLO Gibraltar Pedal Lubricant.

### Replacement Part Numbers

- 1 - SC-LBDB Light Weight BD Beater
- 2 - GP-6079 Double Chain Cam
- 3 - GP-6064 Beater Holder
- 4 - SC-0121 Key Screw 8mm
- 5 - SC-0129 Key Screw 6mm
- 6 - SC-0129 Fastening Screw 6mm
- 7 - GP-6080 Spring Cam Assembly
- 8 - GP-0052 Pedal Spring
- 9 - GP-5103 Spring Tension Assembly
- 10 - GP-4007 Double Chain Assembly
- 11 - GP-6033 Pedal Board Complete
- 12 - GP-0020 Anchor Spur Assembly
- 13 - GP-6065 Black Hoop Clamp
- 14 - GP-6066 Hoop Clamp Key Screw 8mm
- 15 - GP-6067 Fixed Rock Plate
- 16 - SC-0128 Fastening Screw 5mm
- 17 - SC-0129 Fastening Screw 6mm
- 18 - GP-3030R Connecting Rod w/ U-Joint
- 19 - GP-3030L Connecting Rod w/ U-Joint
- 20 - GP-3029 Center Connecting Shaft



Check out the entire line of  
Gibraltar Hardware products at ...  
[www.GibraltarHardware.com](http://www.GibraltarHardware.com)



**KAMAN**  
music corporation